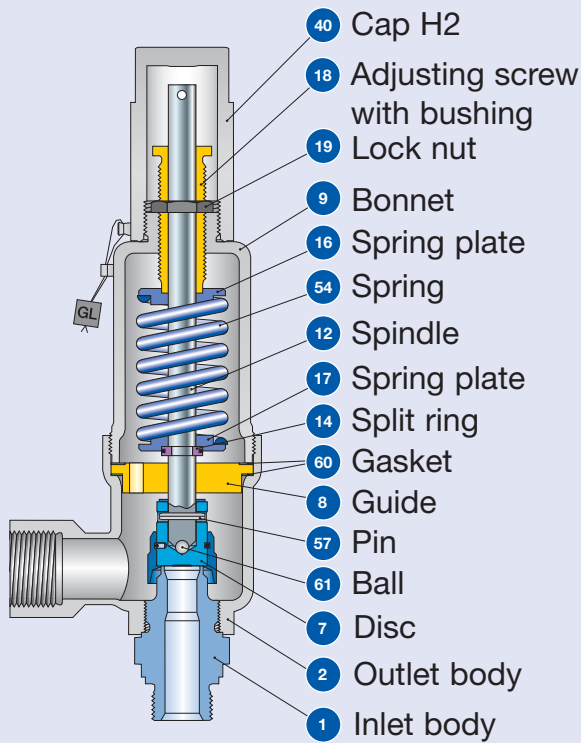
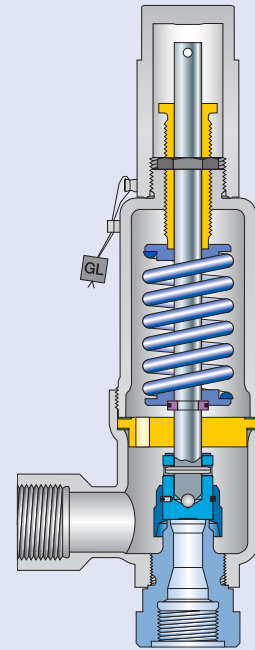


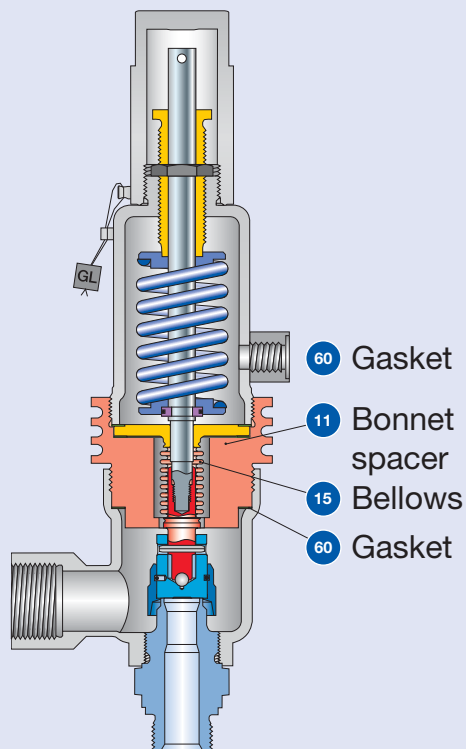
Available designs



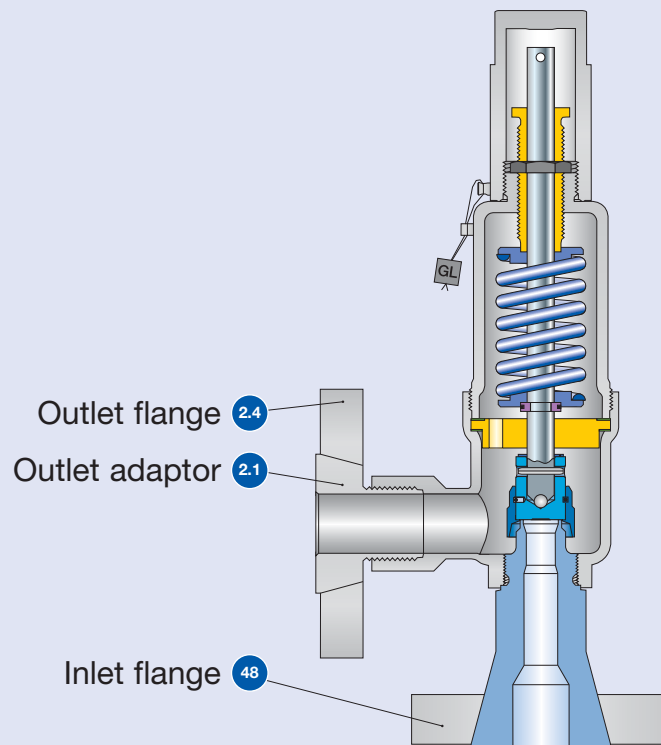
Conventional design
Threaded connection



Conventional design
Threaded connection



Balanced bellows
Threaded connection



Conventional design
Flange connection

Available designs – materials

Materials					
Item	Component	Remarks	Type 4593	Type 4592	Type 4594
1	Base / Inlet body	Threaded connection	1.4104 SA 479 430	1.4404 SA 479 316L	1.4404 SA 479 316L
		Flange connection	1.4404 SA 479 316L	1.4404 SA 479 316L	1.4404 SA 479 316L
2	Outlet body		0.7043 Ductile Gr. 60-40-18	1.0619 WCB	1.4408 ¹⁾ CF8M ¹⁾
2.1	Outlet adaptor	Flange connection	1.4404 316L	1.4404 316L	1.4404 316L
2.4	Outlet flange	Flange connection	1.4404 316L	1.4404 316L	1.4404 316L
7	Disc	Metal seat	1.4122 Hardened stainless steel	1.4122 Hardened stainless steel	1.4404 316L
8	Guide		1.4104 tenifer Chrome steel tenifer	1.4104 tenifer Chrome steel tenifer	1.4404 316L
		Balanced bellows design	1.4404 / SA 316L Upper conn. part of balanced bellows	1.4404 / SA 316L Upper conn. part of balanced bellows	1.4404 / SA 316L Upper conn. part of balanced bellows
9	Bonnet		0.7043 Ductile Gr. 60-40-18	1.0460 105	1.4404 316L
		Balanced bellows design	1.4404 316L	1.4404 316L	1.4404 316L
11	Bonnet spacer	Balanced bellows design	1.0460 Steel	1.0460 Steel	1.4404 316L
12	Spindle		1.4021 420	1.4021 420	1.4404 316L
		Balanced bellows design	1.4404 316L	1.4404 316L	1.4404 316L
14	Split ring		1.4104 Chrome steel	1.4104 Chrome steel	1.4404 316L
15	Bellows	Balanced bellows design	1.4571 SA 316Ti	1.4571 316Ti	1.4571 316Ti
16/17	Spring plate		1.0718 Steel	1.0718 Steel	1.4404 316L
18	Adjusting screw with bushung		1.4104 / PTFE Chrome steel / PTFE	1.4104 / PTFE Chrome steel / PTFE	1.4404 / PTFE 316L / PTFE
19	Lock nut		1.4104 Chrome steel	1.4104 Chrome steel	1.4404 316L
40	Cap H2		1.0718 Steel	1.0718 Steel	1.4404 316L
48	Inlet flange	Flange connection	1.4404 316L	1.4404 316L	1.4404 316L
54	Spring	Standard	1.1200 / 1.8159 / 1.7107 Carbon steel	1.1200 / 1.8159 / 1.7107 Carbon steel	1.4310 Stainless steel
		Optional	1.4310 Stainless steel	1.4310 Stainless steel	- -
57	Pin		1.4310 Stainless steel	1.4310 Stainless steel	1.4310 Stainless steel
60	Gasket		Graphite / 1.4401 Graphite / 316	Graphite / 1.4401 Graphite / 316	Graphite / 1.4401 Graphite / 316
61	Ball		1.3541 Hardened stainless steel	1.3541 Hardened stainless steel	1.4401 316

Please notice:

- Modifications reserved by LESER.
- If several materials are specified LESER defines the material.
- LESER can upgrade materials without notice.
- Every part can be replaced by other material acc. to customer specification.

¹⁾Type 4594 with outlet body deep-drawn: outlet body material 1.4404 / 316L