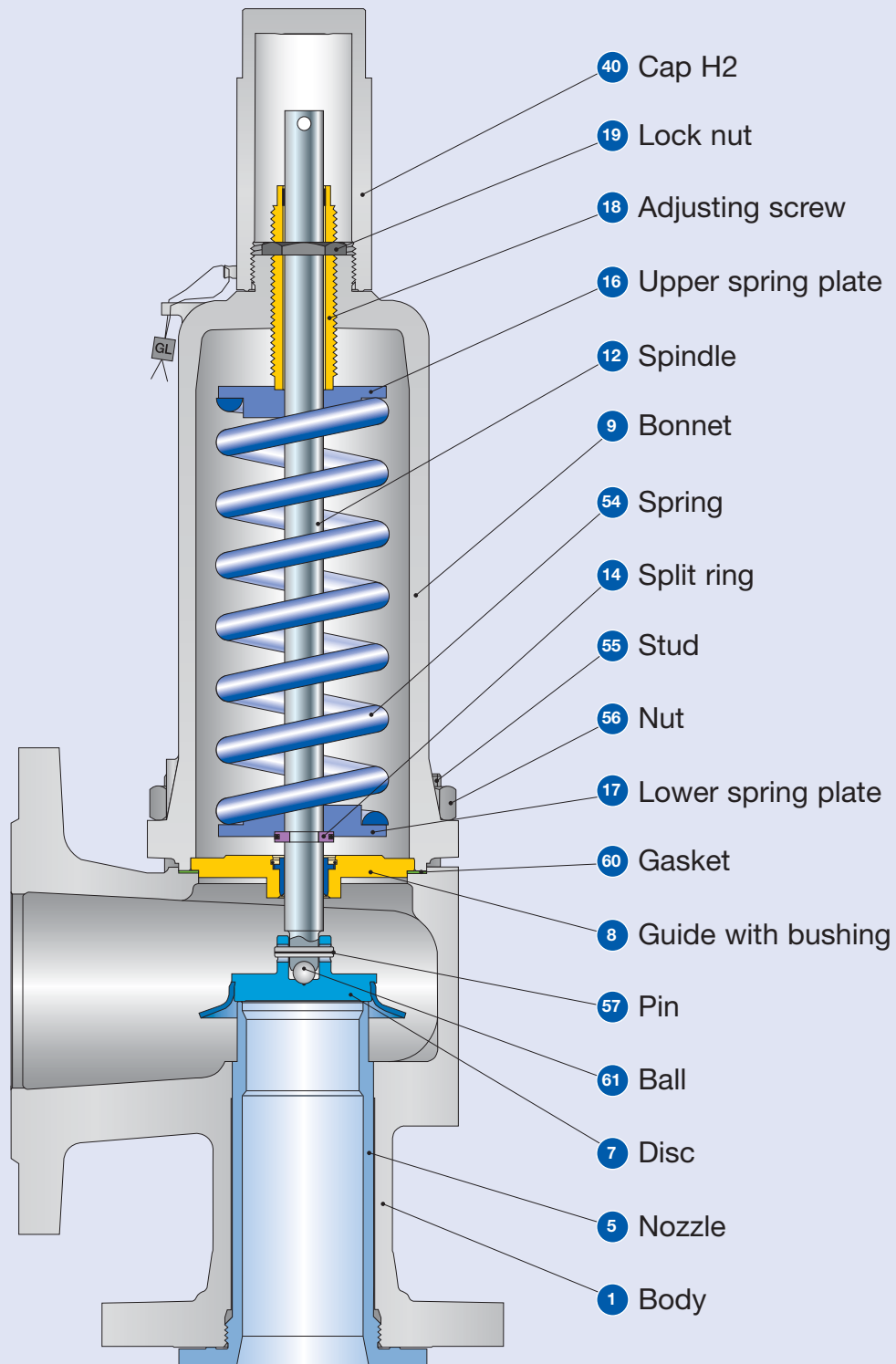


# Type 441, 442 Full Nozzle DIN **LESER**

## Conventional design

Type 441, 442 Full nozzle DIN



# Type 441, 442 Full Nozzle DIN **LESER**

## Conventional design

Materials			
Item	Component	Type 4412 / 4422 Full nozzle DIN	Type 4414 Full nozzle DIN
1	Body	1.0619	1.4408
		SA 216 WCB	SA 351 CF8M
5	Nozzle	1.4404	1.4404
		316L	316L
7	Disc	1.4122	1.4404
		Hardened stainless steel	316L
8	Guide with bushing	1.0501	1.4404
		Carbon steel	316L
		1.4104 tenifer	-
		Chrome steel	-
9	Bonnet	0.7040, 0.7043, 1.0619	1.4408 or 1.4571
		Ductile Gr. 60-40-18, SA 216 WCB	SA CF8M or SA 479 316Ti
12	Spindle	1.4021	1.4404
		420	316L
14	Split ring	1.4104	1.4404
		Chrome steel	316L
16 / 17	Spring plate	1.0718	1.4404
		12L13	316L
18	Adjusting screw with bushing	1.4104 PTFE	1.4404
		Chrome steel PTFE	316L PTFE
19	Lock nut	1.0718	1.4404
		Steel	316L
40	Cap H2	1.0718	1.4404
		12L13	316L
54	Spring standard	1.1200, 1.8159, 1.7102	1.4310
		Carbon steel	Stainless steel
	Spring optional	1.4310	-
55	Stud	1.1181	1.4401
		Steel	B8M
56	Nut	1.0501	1.4401
		2H	8M
57	Pin	1.4310	1.4310
		Stainless steel	Stainless steel
60	Gasket	Graphite / 1.4401	Graphite / 1.4401
		Graphite / 316	Graphite / 316
61	Ball	1.3541	1.4401
		Hardened stainless steel	316

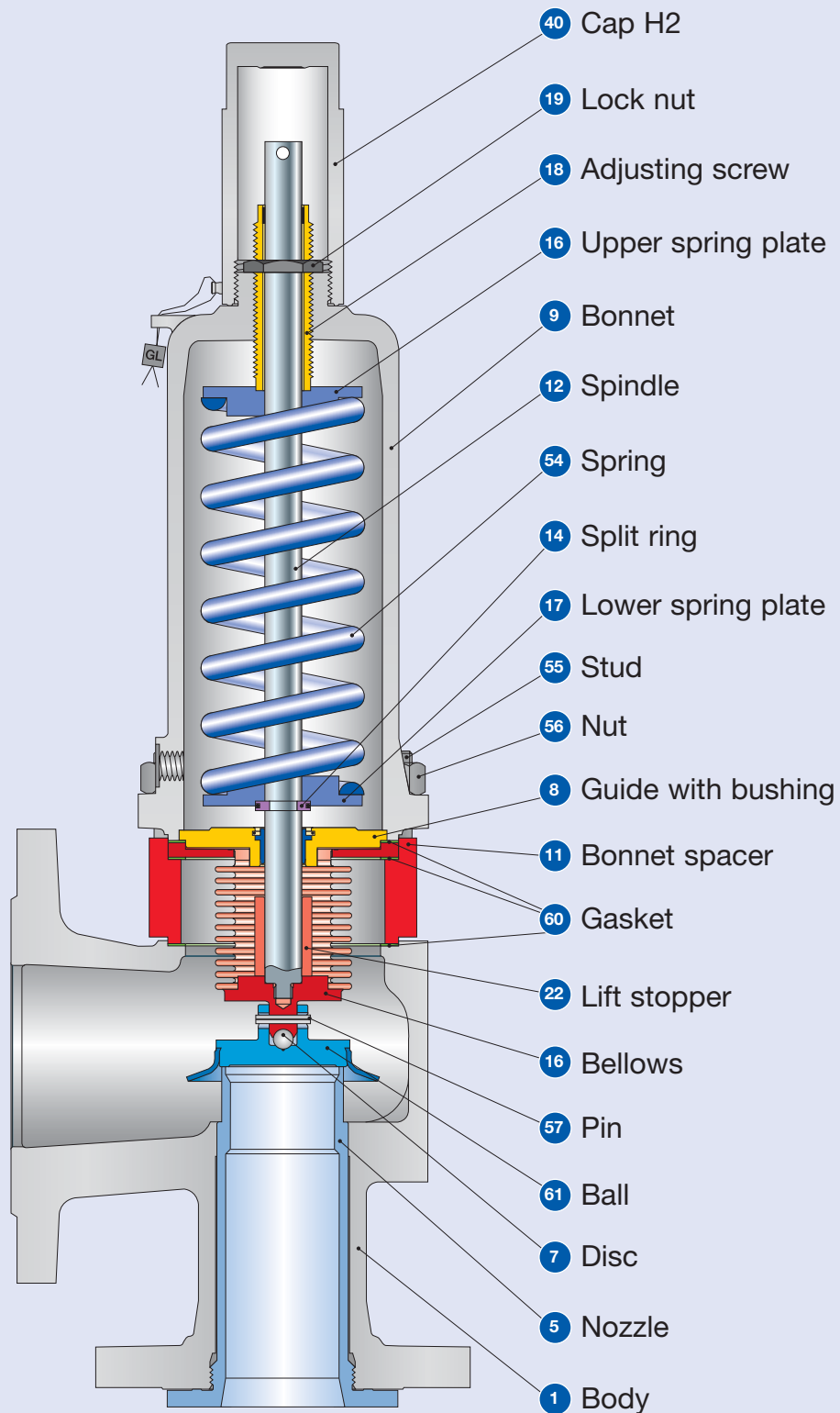
**Please notice:**

- Modifications reserved by LESER.
- LESER can upgrade materials without notice.
- Every part can be replaced by other material acc. to customer specification.

# Type 441, 442 Full nozzle DIN **LESER**

Balanced bellows design

Type 441, 442 Full nozzle DIN



# Type 441, 442 Full nozzle DIN **LESER**

## Balanced bellows design

Materials		Type 4412 / 4422 Full nozzle DIN	Type 4414 Full nozzle DIN
1	Body	1.0619	1.4408
		SA 216 WCB	SA 351 CF8M
5	Nozzle	1.4404	1.4404
		316L	316L
7	Disc	1.4122	1.4404
		Hardened stainless steel	316L
8	Guide with bushing	1.0501	1.4404
		Carbon steel	316L
		1.4104 tenifer	-
		Chrome steel	-
9	Bonnet	0.7040, 0.7043, 1.0619	1.4408 or 1.4571
		Ductile Gr. 60-40-18, SA 216 WCB	SA 351 CF8M or SA 479 316Ti
11	Bonnet spacer	1.0460	1.4404
		Carbon steel	316L
12	Spindle	1.4404	1.4404
		316L	316L
14	Split ring	1.4104	1.4404
		Chrome steel	316L
15	Bellows	1.4571	1.4571
		316Ti	316Ti
16 / 17	Spring plate	1.0718	1.4404
		12L13	316L
18	Adjusting screw with bushing	1.4104 PTFE	1.4404
		Chrome steel PTFE	316L PTFE
19	Lock nut	1.0718	1.4404
		Steel	316L
22	Lift stopper	1.4404	1.4404
		316L	316L
40	Cap H2	1.0718	1.4404
		12L13	316L
54	Spring standard	1.1200, 1.8159, 1.7102	1.4310
		Carbon steel	Stainless steel
	Spring optional	1.4310	-
		Stainless steel	-
55	Stud	1.4401	1.4401
		B8M	B8M
56	Nut	1.4401	1.4401
		8M	8M
57	Pin	1.4310	1.4310
		Stainless steel	Stainless steel
60	Gasket	Graphite / 1.4401	Graphite / 1.4401
		Graphite / 316	Graphite / 316
61	Ball	1.3541	1.4401
		Hardened stainless steel	316

**Please notice:**

- Modifications reserved by LESER.
- LESER can upgrade materials without notice.
- Every part can be replaced by other material acc. to customer specification.