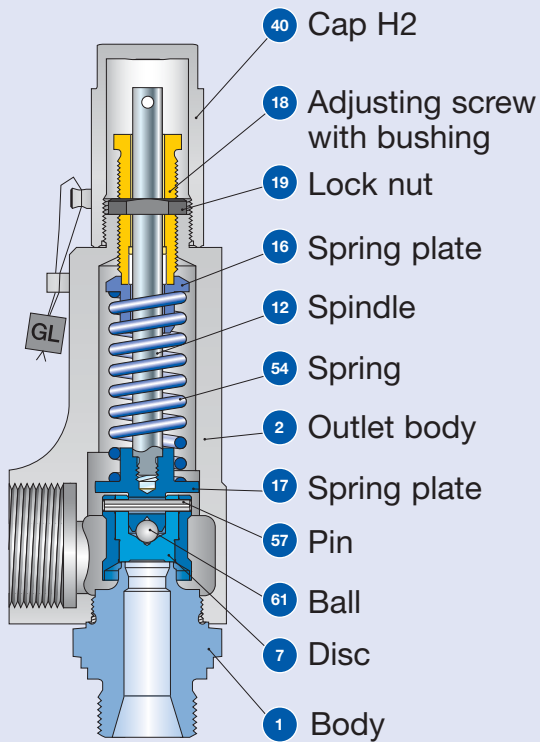
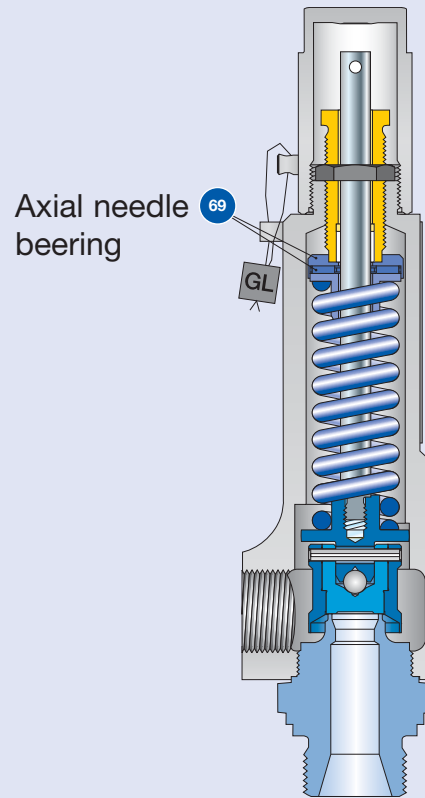


Available designs

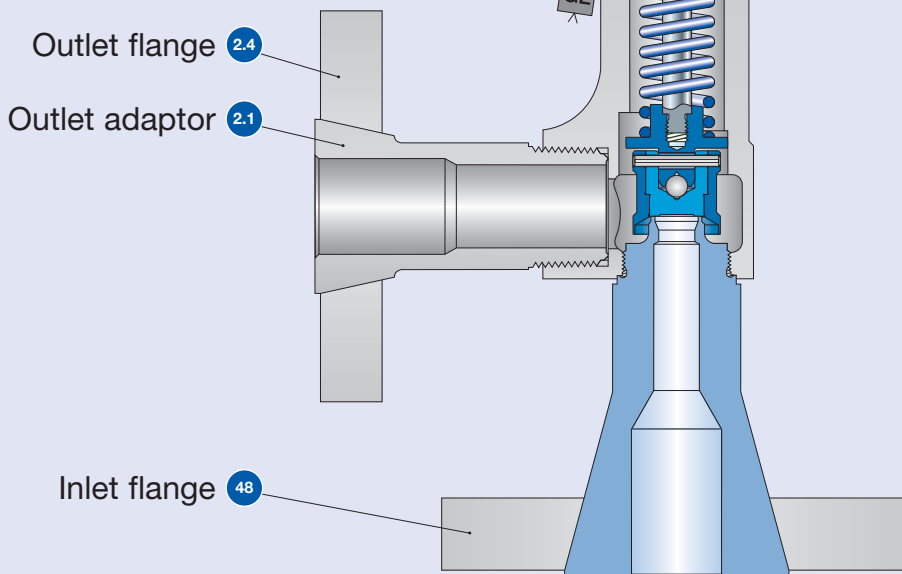
Type 437



Conventional design
Threaded connection



Long version
Threaded connection



Conventional design
Flange connection

Available designs – materials

Materials			Type 4373	Type 4374
Item	Component	Remarks	Type 4373	Type 4374
1	Base / Inlet body	Threaded connection	1.4104 ¹⁾ , 1.4404 SA 479 430 ¹⁾ , SA 479 316L	1.4404 SA 479 316L
		Flange connection	1.4404 SA 479 316L	1.4404 SA 479 316L
		Long version	1.4104 ²⁾ , 1.4404 stellite SA 479 430 ²⁾ , SA 479 316L stellite	1.4404 stellite SA 479 316L stellite
2	Outlet body		1.4104 SA 479 430	1.4404 SA 479 316L
2.1	Outlet adaptor	Flange connection	1.4404 316L	1.4404 316L
2.4	Outlet flange	Flange connection	1.4404 316L	1.4404 316L
7	Disc		1.4122 Hardened stainless steel	1.4404 SA 316L
		Long version	d ₀ 6: 1.4404 stellite d ₀ 10: 1.4122 d ₀ 6: 316L stellite d ₀ 10: Hardened stainless steel	d ₀ 6: 1.4404 stellite d ₀ 10: 1.4404 d ₀ 6: 316L stellite d ₀ 10: 316L
12	Spindle ³⁾		1.4021 420	1.4571 316Ti
		Long version	1.4571 316Ti	1.4571 316Ti
16/17	Spring plate ³⁾		1.4104 Chrome steel	1.4404 316L
		Long version	1.4404 316L	1.4404 316L
18	Adjusting screw with bushing		1.4104 / PTFE Chrome steel / PTFE	1.4104 / PTFE 316L / PTFE
19	Lock nut		1.0718 Steel	1.4404 316L
40	Cap H2		1.0718 Steel	1.4404 316L
48	Inlet flange	Flange connection	1.4404 316L	1.4404 316L
54	Spring		1.4310 Stainless steel	1.4310 Stainless steel
57	Pin		1.4310 Stainless steel	1.4310 Stainless steel
61	Ball		1.3541 Hardened stainless steel	1.4401 316
69	Axial needle bearing	Long version	1.4404 316L	1.4404 316L

¹⁾ Only for male thread DIN ISO 228-1 G³/₈, G¹/₂, G³/₄ (Option codes V49, V54, V55).

²⁾ Only for d₀ 10 with male thread DIN ISO 228-1 G³/₈, G¹/₂, G³/₄ (Option codes V49, V54, V55).

³⁾ The items 12 and 17 are combined to one unit.

Please notice:

- Modifications reserved by LESER.
- LESER can upgrade materials without notice.
- Every part can be replaced by other material acc. to customer specification.